

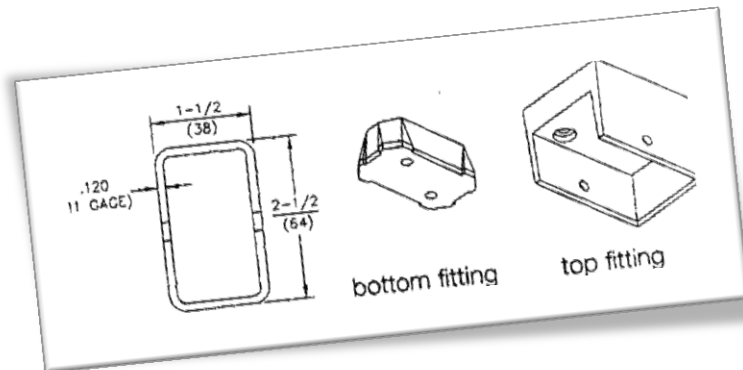
Mullions

Removable Mullion

Can be used with paired doors where a full-width opening is sometimes required. Doors are fitted with rim-type exit devices and normally function as single doors.

Colors: White or Bronze

Steel Mullion for use on non-labeled doors



Steel Mullion for use with labeled doors

