

# PDL

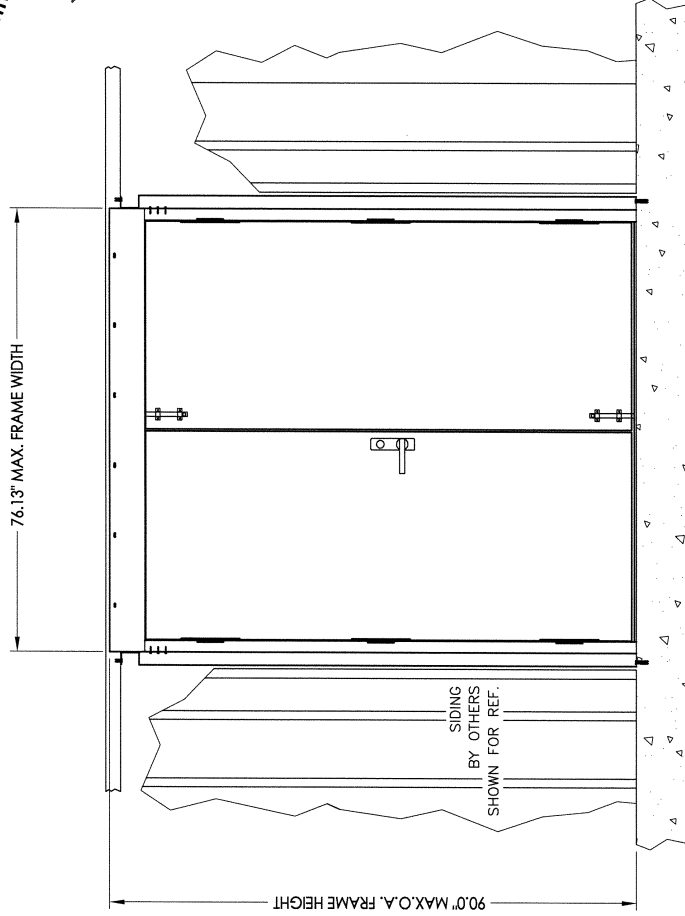
Building Products  
31393 Industrial Parkway  
North Olmsted, OH 44070

## PRE-ASSEMBLED METAL WALL DOUBLE DOOR OUTSWINGING "IMPACT"

### GENERAL NOTES

1. This product has been evaluated and is in compliance with the 5th Edition (2014) Florida Building Code (FBC) structural requirements excluding the "High Velocity Hurricane Zone" (HVHZ).
2. Product anchors shall be as listed and spaced as shown on details. Anchor embedment to base material shall be beyond wall dressing or stucco.
3. When used in areas requiring wind borne debris protection this product complies with Section 1609.1.2 of the FBC and does not require an impact resistant covering. This product meets missile level "D" and includes Wind Zone 4 as defined in ASTM E 1996 and Section 1609.1.2.2 of the FBC.
4. Site conditions that deviate from the details of this drawing require further engineering analysis by a licensed engineer or registered architect.
5. Main wind force resisting system (MWFRS) component spacing to be determined by others.
6. Engineer of Record shall evaluate the sub-jamb for additional windloads from components and cladding elements such as wall panels and intermediate girts.

TABLE OF CONTENTS	
SHEET#	DESCRIPTION
1	Typical elevations, design pressures & general notes
2	Door panel details
3	Vertical & horizontal cross sections
4	Anchoring Details
5	Bill of materials & components



**6070 PRE-ASSEMBLED DOOR ELEVATION**  
(Metal building installation)

OVERALL FRAME DIMENSION	DESIGN PRESSURE (PSF)	
	POSITIVE	NEGATIVE
76.13' x 90.0'	+50.0	-50.0

**L. SCHMIDT**  
LICENSE  
No. 43409  
FLORIDA  
PROFESSIONAL ENGINEER

Documents Prepared By:  
Lyndon F. Schmidt  
P.E. No. 43409

4/23/15

**BUILDING CONSULTANTS, INC.**  
P.O. Box 230, Venice, FL 33595  
Phone No.: 813.659.9197  
FBPE C.A. No. 9813

PRODUCT: PDL BUILDING PRODUCTS  
PRE-ASSEMBLED METAL WALL DOOR

PART OR ASSEMBLY:  
JK  
BY

TYPICAL ELEVATION, DESIGN PRESSURES & GENERAL NOTES

NO	DATE	REVISIONS
1	4/23/15	UPDATE TO 5TH ED. (2014) FBC

DATE: 09/27/11  
SCALE: N.T.S.  
DWG. BY: JK  
CHK. BY: LFS  
DRAWING NO.: FL-7796.2  
SHEET 1 OF 5

**L. SCHMIDT**  
 LICENSE  
 No. 43409  
 STATE OF FLORIDA  
 PROFESSIONAL ENGINEER

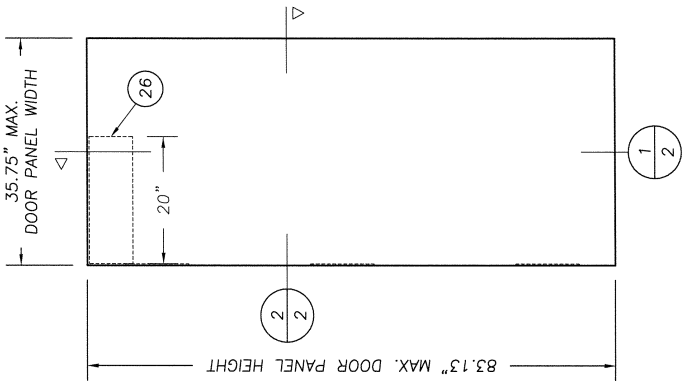
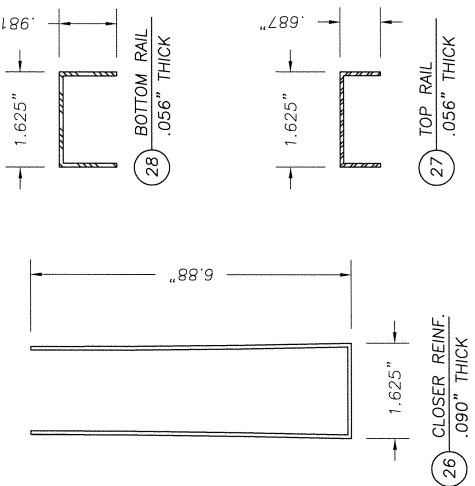
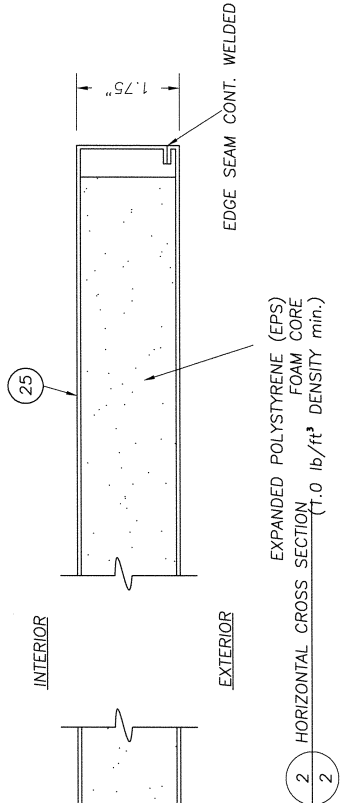
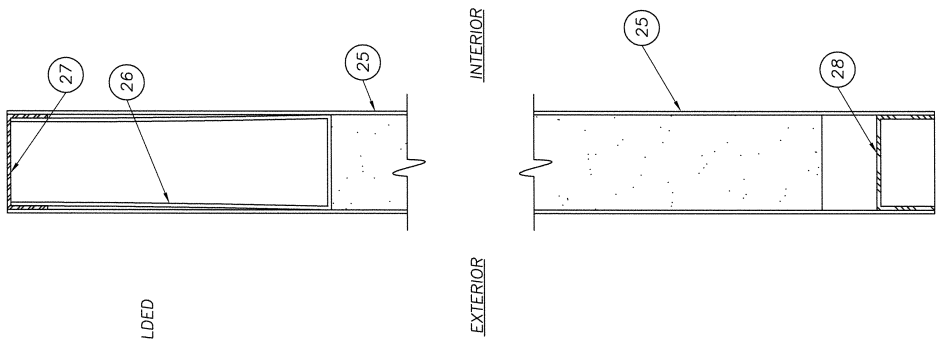
Documents Prepared By: Lyndon F. Schmidt  
 P.E. No. 43409

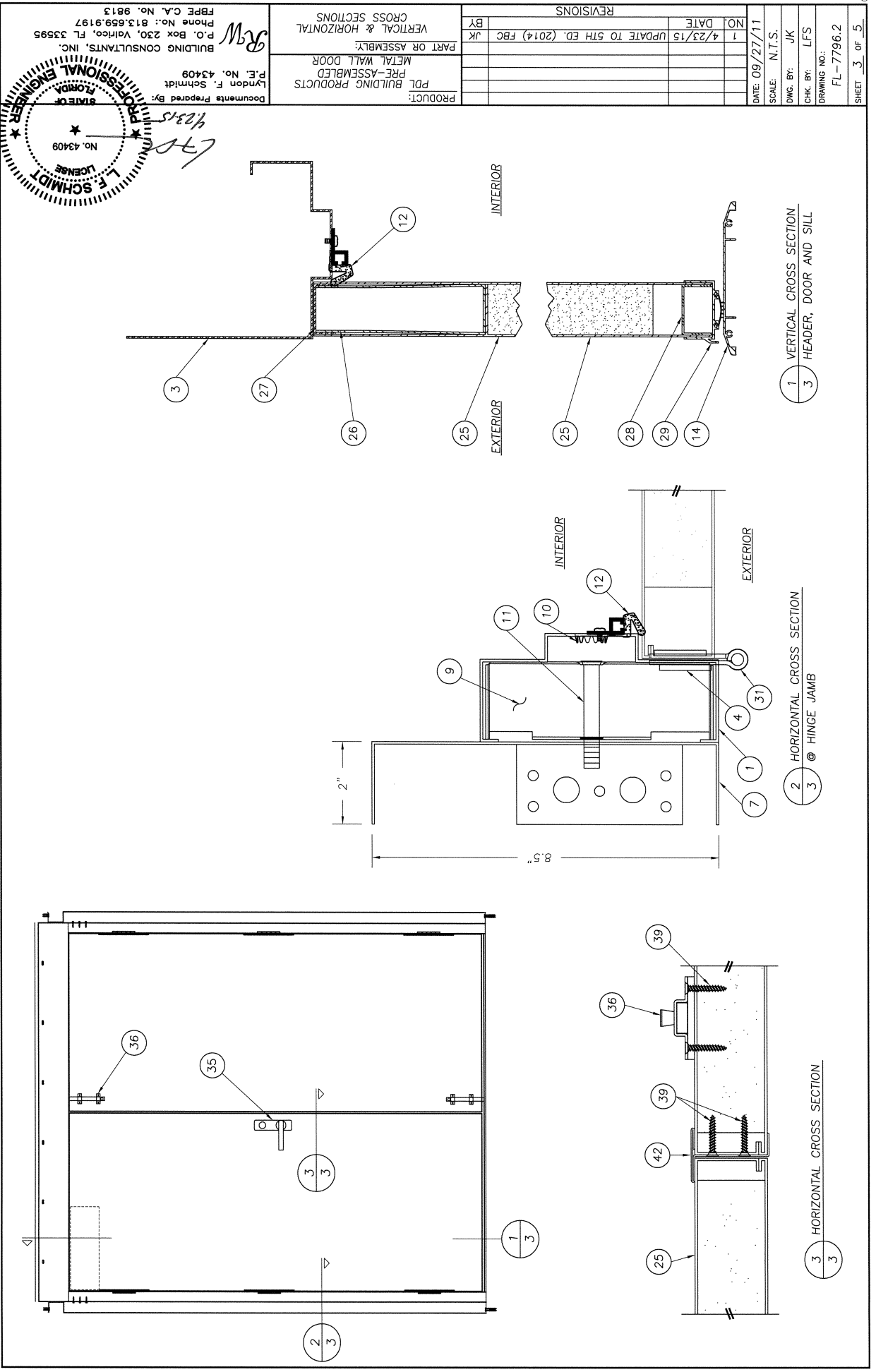
Building Consultants, Inc.  
 P.O. Box 230, Vero Beach, FL 33595  
 Phone No.: 813.659.9197  
 FBPE C.A. No. 9813

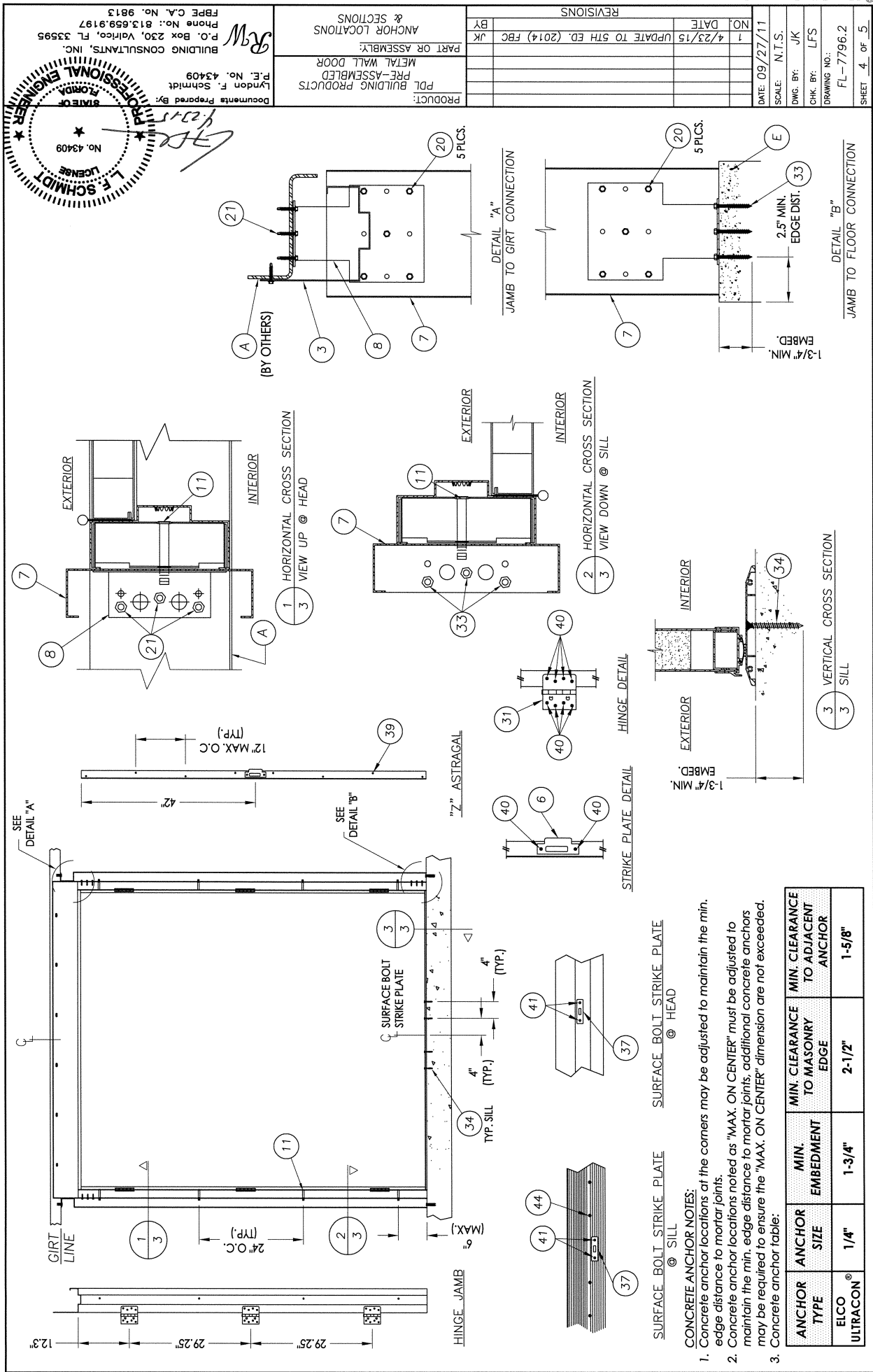
PRODUCT:	PDL BUILDING PRODUCTS PRE-ASSEMBLED METAL WALL DOOR
PART OR ASSEMBLY:	DOOR PANEL DETAILS

REVISIONS	
NO.	DATE
1	4/23/15
UPDATE TO 5TH ED. (2014) FBC JK	
BY	JK

1 VERTICAL CROSS SECTION  
 2







**PROFESSIONAL ENGINEER**  
 STATE OF FLORIDA  
 L. F. SCHMIDT  
 No. 43409  
 License

Documents Prepared By:  
 Lyndon F. Schmidt  
 P.E. No. 43409

R<sup>9</sup>  
 BUILDING CONSULTANTS, INC.  
 P.O. Box 230, Vero Beach, FL 33595  
 Phone No.: 813.659.9197  
 FBPE C.A. No. 9813

PRODUCT: PDL BUILDING PRODUCTS PRE-ASSEMBLED METAL WALL DOOR

ANCHOR LOCATIONS & SECTIONS

NO.	DATE	BY
1	4/23/15	JK
UPDATE TO 5TH ED. (2014) FBC		

PART OR ASSEMBLY: JK

REVISIONS

NO.	DATE	BY
1	4/23/15	JK
UPDATE TO 5TH ED. (2014) FBC		

DATE: 09/27/11

SCALE: N.T.S.

DWG. BY: JK

CHK. BY: LFS

DRAWING NO.: FL-7796.2

SHEET 4 of 5

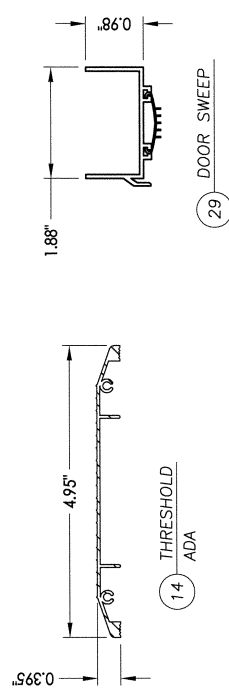
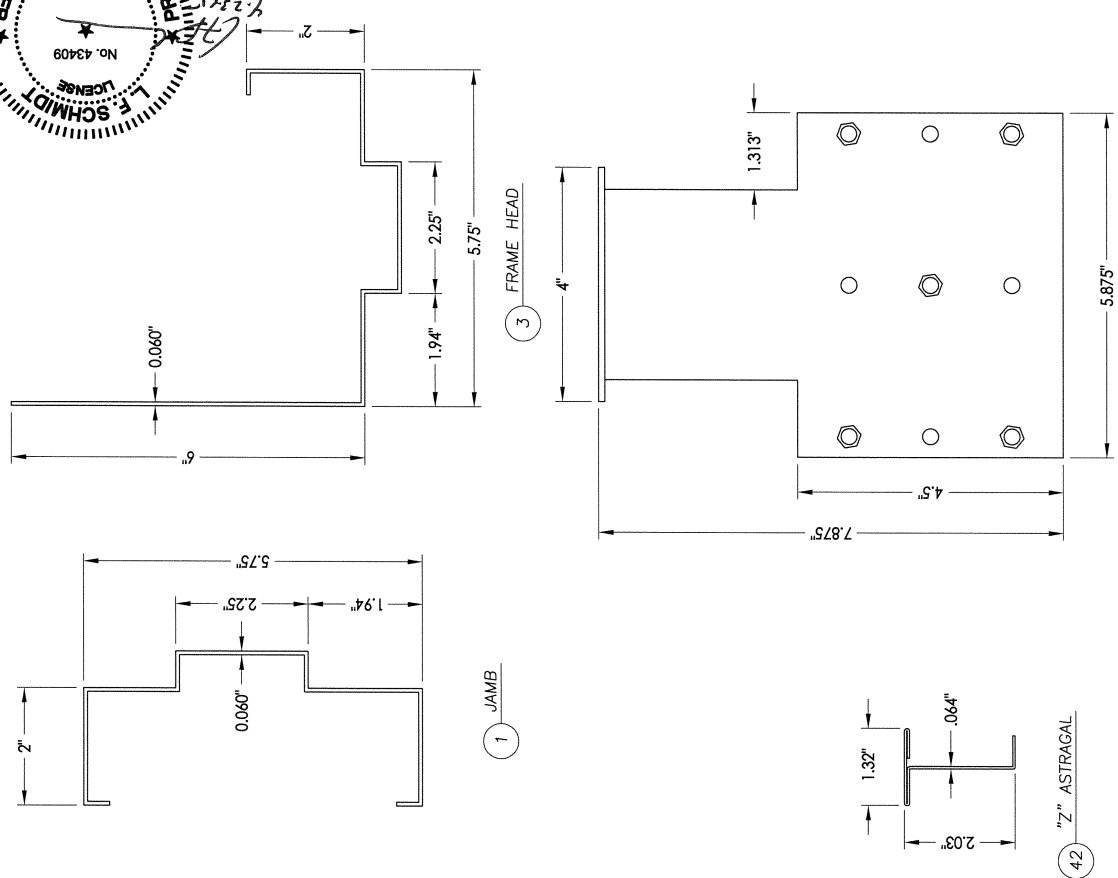
CONCRETE ANCHOR NOTES:

- Concrete anchor locations at the corners may be adjusted to maintain the min. edge distance to mortar joints.
- Concrete anchor locations noted as "MAX. ON CENTER" must be adjusted to maintain the min. edge distance to mortar joints. additional concrete anchors may be required to ensure the "MAX. ON CENTER" dimension are not exceeded.
- Concrete anchor table:

ANCHOR TYPE	ANCHOR SIZE	MIN. EMBEDMENT	MIN. CLEARANCE TO MASONRY EDGE	MIN. CLEARANCE TO ADJACENT ANCHOR
EILCO ULTRACON®	1/4"	1-3/4"	2-1/2"	1-5/8"

ITEM #	DESCRIPTION	MATERIAL
A	STEEL SUBSTRATE - 0.100" MIN. THICK. (ASTM A653, Fy=33KSI, Fu=45KSI)	STEEL
E	3,000 PSI MIN. CONCRETE CONFORMING TO ACI 301	CONCRETE
1	AMWELD 400 SERIES JAMB (16 GA. MIN.)	STEEL
3	AMWELD 400 SERIES HEADER (16 GA. MIN.)	STEEL
4	HINGE REINFORCING (10 GA. MIN.)	STEEL
6	ANSI UNIV. STRIKE REINF. (14 GA. MIN.)	STEEL
7	PDL 16 GA. GALV. SUB. JAMBS	STEEL
8	PDL 16 GA. GALV. L-BRACKETS (ASTM A653, Fy=33KSI, Fu=45KSI)	STEEL
9	COMPLETED OPENING ANCHORS (16 GA. MIN.)	STEEL
10	PLASTIC SNAP-IN HOLE PLUGS	PLASTIC
11	5/16" - 18 x 2-1/2" BOLT w/ WASHER AND FIN HEX NUT	STEEL
12	WEATHERSTRIP	NEOPRENE
14	COLUMBIA ALUMINUM 6510 THRESHOLD	ALUM
15	#10 x 1" SELF-DRILLING SMS	STEEL
20	#10 x 1-1/4" TEK SCREW	STEEL
21	#10 x 1" HILTI KWIK-FLEX SELF-DRILLING SCREW	STEEL
25	20 GA. STEEL DOOR PANELS	STEEL
26	CLOSER REINFORCEMENT	STEEL
27	END CLOSURE - TOP	STEEL
28	END CLOSURE - BOTTOM	STEEL
29	COLUMBIA ALUMINUM 2580 SWEEP	ALUM
31	GULFPORT GB879 4.5 x 4.5 BALL BEARING NRP HINGE	STEEL
33	1/4" x 2-1/4" ELCO HWH CONCRETE SCREW	STEEL
34	1/4" x 2-1/4" ELCO PPH CONCRETE SCREW	STEEL
35	YALE 8700 SERIES MORTISE LOCK	STEEL
36	SURFACE BOLT - IVES 584R	STEEL
37	SURFACE BOLT STRIKE PLATE	STEEL
39	#8 x 1" PPH SELF-DRILLING SMS	STEEL
40	#12 x 3/4" PPH MACHINE SCREW	STEEL
41	#8 x 1/2" PPH SELF-DRILLING SMS	STEEL
42	"Z" ASTRAGAL	STEEL

**BILL OF MATERIALS**



8 "L" BRACKET  
12 GA.

Documents Prepared By:  
Lyon F. Schmidt  
P.E. No. 43409  
FLORIDA  
PROFESSIONAL ENGINEER  
L. F. SCHMIDT  
LICENSE  
No. 43409

BUILDING CONSULTANTS, INC.  
P.O. Box 230, Vero Beach, FL 33595  
Phone No.: 813.659.9197  
FBPE C.A. No. 9813

PRODUCT: PDL BUILDING PRODUCTS  
PRE-ASSEMBLED  
METAL WALL DOOR

PART OR ASSEMBLY:

BILL OF MATERIALS & COMPONENTS

NO.	DATE	REVISIONS
1	4/23/15	UPDATE TO 5TH ED. (2014) FBC

DATE: 09/27/11  
SCALE: N.T.S.  
DWG. BY: JJK  
CHK. BY: LFS  
DRAWING NO.: FL-7796.2  
SHEET 5 OF 5