

# Canopy Installation – Metal Panels

---

## Metal Panel Applications

Note: Additional Support Columns and Pipe Hangers may be required for larger Canopies and/or higher wind loads.

### Step 1: Install Vertical Support Columns

Install vertical support column to girt framing. (Girt spacing max 6'0")

1A – Center canopy over door. If necessary, shift canopy towards door so that pipe hangers penetrate in the high or low areas of panel. When the canopy is positioned at the desired location match drill 9/16" holes through predrilled canopy angle holes. (These holes are aligned with the center of the zee rafter holes used for the pipe hangers at the all attachment angle of the canopy.)

1B – Align centerline of support columns with 9/16" holes drilled in step 1A and center line of zee rafters on canopy between girts. Attach mounting clips to each end of telescoping support columns with (2) ¼" x ¾" bolts and nuts per clip. Slide adjust columns to proper length in or to fit between girts (6 ft. maximum). Column should be flush with back of the wall panel. Secure to girts with (2) ¼" x ¾" bolts and nuts per clip.

### Step 2: Install Lower Support Bolts

2A – Match drill through previously drilled holes in wall panel through centerline of support columns.

2B – with canopy re-positioned and matching holes in canopy and wall panel aligned, attach canopy to wall panel and support column using ½" X 7" bolt with washer. (use PVC spacer sleeve if hole in wall panel is through the high rib) (Typical each side) NOTE: before tightening bolts apply sealant at penetration points.

### Step 3: Attach Pipe Hangers to Canopy

3A – Thread ½" nut on the short end, slide on ½" washer and insert into hole on top of canopy rafter. Secure with ½" nuts and washers on underside of rafter. (Typical for each pipe hanger assembly.)

### Step 4: Attach Pipe Hangers to Wall

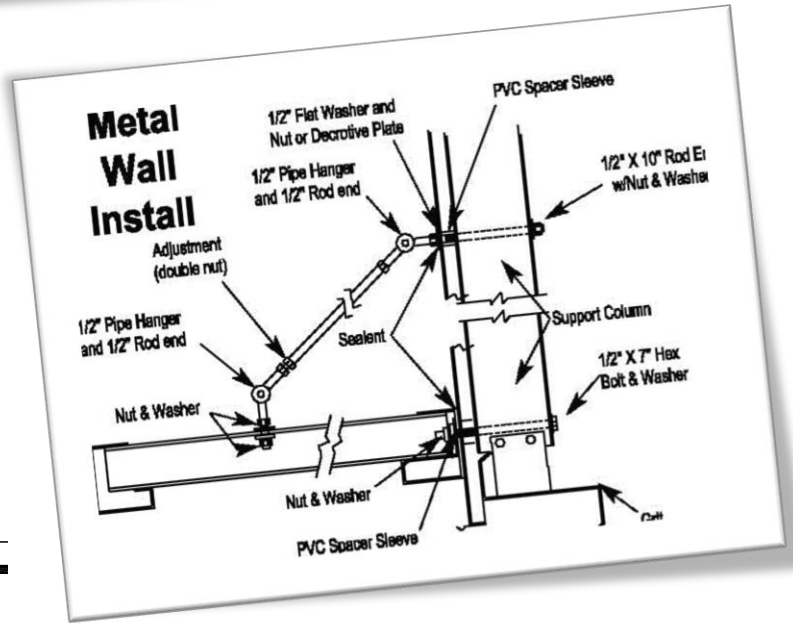
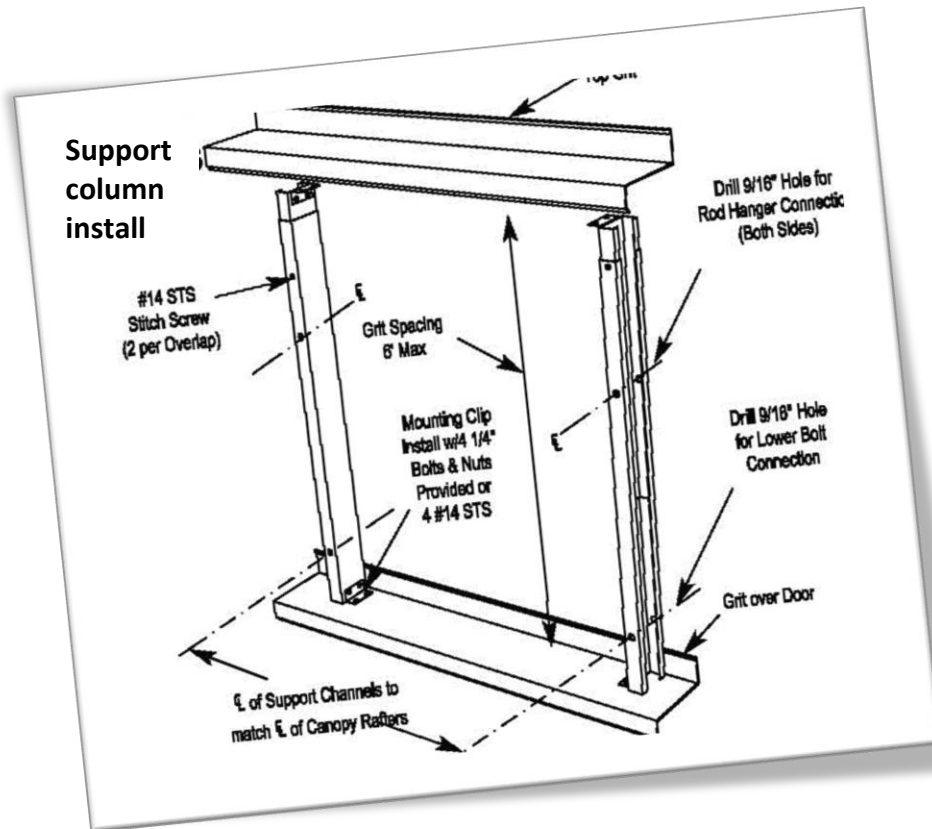
4A – Locate the elevation at the point where long rod will penetrate the wall. Drill 9/16" hole through panel and support columns. Thread ½" nut on long rod end and slide on ½" washer.

Insert long rod through wall panel and support columns. Secure at support column with ½" nuts and washers. NOTE: before tightening, apply sealant at penetration under washer or decorative plate.

### Step 5: Adjust Pitch of Canopy

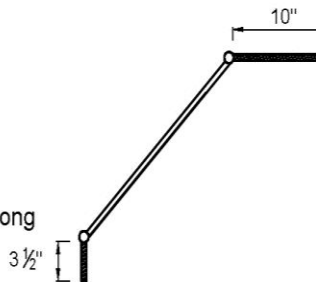
5A – Adjust pipe hanger yoke ends, and/or short rod at rafter so the canopy slopes toward wall ½" to 1" (for rear mounted drains.)

# Canopy Installation - Metal Panels



## \*Metal Wall Application\*

- (One kit per hanger)
- (1) 2pc Telescoping Channel
- (2) 12GA Mounting Clips for Telescoping Channels
- (8) 1/4" x 3/4" Bolts
- (8) 1/4" Nuts
- (1) 1/2" x 10" Rod End
- (1) 1/2" x 3 1/2" Rod End
- (1) 1/2" x 7" Hex Bolt
- (5) 1/2" Nuts
- (6) 1/2" Washers
- (2) PVC Spacers x 1 1/4" long
- (1) Pipe Hanger



# Canopy Installation - Metal Panels

## Multiple Canopy Installation

