

Installation Instructions

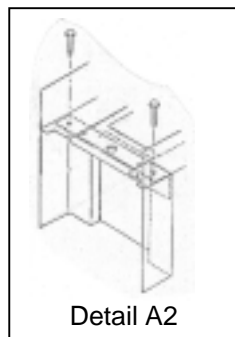
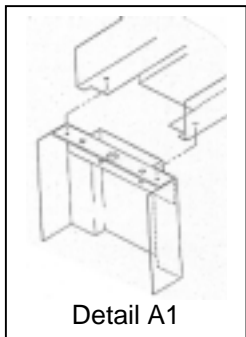
Parts List:

- 1 – Hinge Jamb
- 1 – Strike Jamb
- 1 – Head
- 2 – Girt Anchors
- 1 – Threshold
- 2 – Threshold Clips
- 1 – Door Leaf
- 1 – Sweep
- 1 – Adhesive Weatherstrip
- 3 – Hinges
- 1 – Lockset

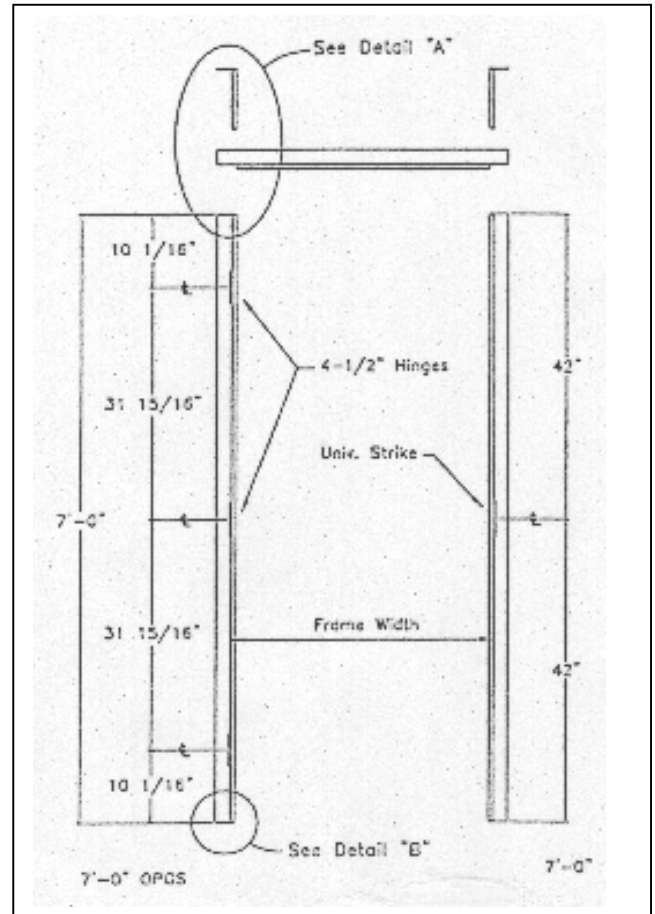
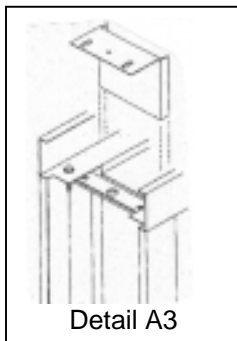
Fasteners:

- 4 – #14 x 1" Hex Head Tek Screws
- 12 – #10 x 3/4" Hex Head Tek Screws
- 2 – #8 x 1/2" Panhead Screws
- 4 – 3/8" Sleeve Anchor Bolts
- 3 – Threshold Anchor Bolts

1. Align and assemble frame head, hinge jamb and strike jamb as shown below in Detail A1 and A2:



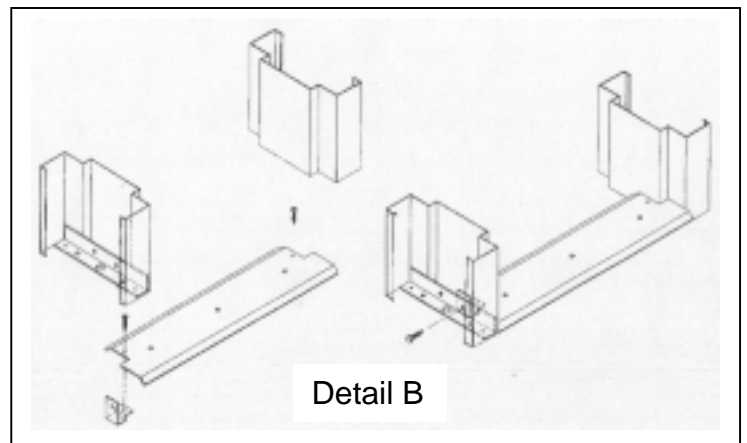
2. Insert but **DO NOT SECURE** girt anchors into the top of the hinge jamb and strike jamb as shown in Detail A3:



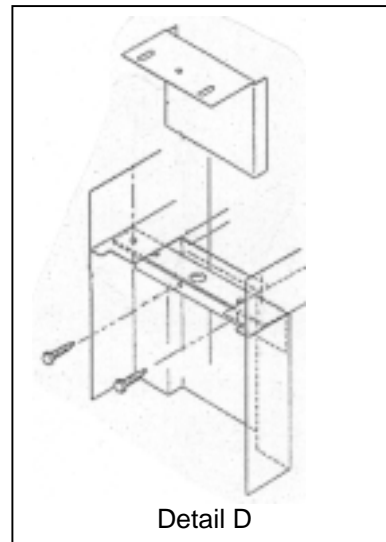
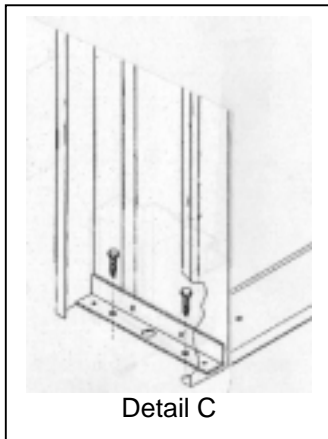
Elevation

(R.H. shown, to make L.H. turn jambs end for end.)

3. Attach threshold clips to threshold and both jambs as shown in Detail B:



4. Position frame under the girt. The outside edge of the threshold and the faces of the frame should be flush with the outside edge of the concrete floor.
5. Plumb and square the frame unit using a carpenter's square in each top corner and a level on the face of each jamb.
6. Secure the hinge jamb girt anchor to the girt with 3 #12 x 3/4" tek screws. **DO NOT** secure the girt anchors to the jambs as yet. This will hold the frame in place while anchoring the jambs.
7. While frame is plumb and square, anchor the base of each jamb with the 1/2" sleeve anchors as shown in Detail C:
8. Check plumb and square once more then secure the girt anchors to the jambs at the top of each jamb as shown in Detail D:



9. Secure threshold to concrete using sleeve anchors provided. Caulk or grout as needed.
10. Install door leaf with hinges and lockset provided. (See installation directions in lock box.)
11. Install weatherstrip to the stops of the head and strike jamb and to the portion of the hinge jamb that the hinges are mortised into adjacent to the stop. (The weatherstrip will cover a portion of the hinge itself.)
12. Install door sweep

For questions regarding this installation call PDL Building Products at 877-735-3667